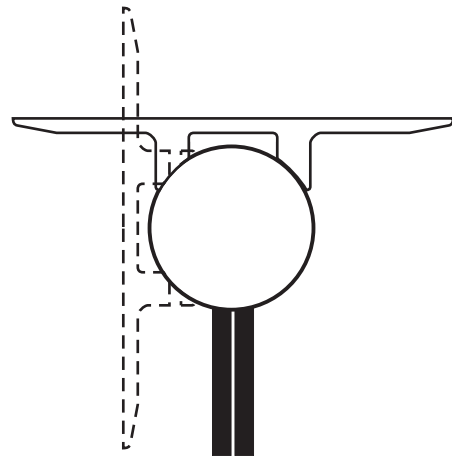
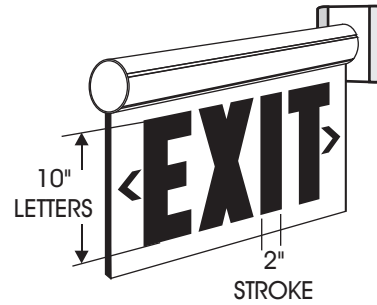
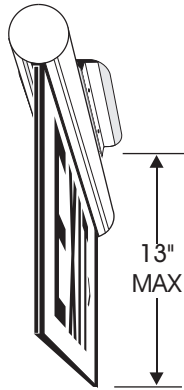


# Crystal Surface Mount with 10" Letters

# Edge-lit LED Exit Signs Series CRS 10

Designed to meet requirements of State of New Jersey, Amendment NJAC 5:23- 9.6 lighted signage on casino floors

CRS 12.05.4



### CONSTRUCTION

- Extruded aluminum LED lamp housing mounts to a form-fitting canopy in solid aluminum that contains a "cam lock" device, which is field adjustable for wall or ceiling mount.
- Standard finishes: satin anodize, brushed aluminum.
- Optional finishes: Painted colors in any custom shade, or anodized finishes in satin bronze, polished gold, mirror silver & many others.
- Diamond polished acrylic lenses for optimum light transmission, exterior quality and high brightness.
- Ultra high output LEDs produce brilliant graphic illumination well above code minimums

### MULTILITE

- All versions of this product have multiple remote capabilities.
- MULTILITE is the most cost-effective installation for all types of exit lights.

### ELECTRONICS

- Isolated, all solid state power supply with 2-wire universal input from 120 VAC to 277 VAC with precise current and voltage regulation.
- Power supply is surge and spike protected, with a low voltage disconnect.
- The complete power supply module with optional NICAD battery pack is sealed within a phenolic plastic enclosure, which fits inside a standard 4" square deep J- box.. AC and DC wiring is quickly attached with plug connectors.

### DIAGNOSTICS OPTION

- An advanced microprocessor monitors all charger functions and battery condition continuously and automatically performs all tests and visual indications required by UL Standard 924.

### MOUNTING

- Field selectable wall or ceiling mount. No exposed hardware.

### CODES

- Listed to UL Standard 924. Conforms to NFPA Life Safety Code 101, UBC and NEC.
- State of New Jersey Amendment NJAC 5:23-9.6

### WARRANTY

- 5 year total customer satisfaction warranty. For details see product catalog technical data section.



U.S. Patent 5, 276, 591

### FIXTURE SCHEDULE

MODEL	CATALOG NO
APPROVAL	JOB INFORMATION



# Crystal Surface Mount with 10" Letters

# Edge-lit LED Exit Signs Series CRS10

Designed to meet requirements of State of New Jersey, Amendment NJAC 5:23- 9.6 lighted signage on casino floors

CRS12.05.4

### SUGGESTED SPECIFICATIONS:

Supply and install Signtex CRYSTAL Series CRS10 surface mount LED exit signs. The lamp housing and canopy shall be of extruded aluminum, graphic lenses shall be optical grade acrylic with diamond polished edges. Lens size shall be 21" x 11" and EXIT letters shall be 10" in height with 2" typical stroke. Lighting uniformity shall be better than 4:1 when measured over any illuminated area and average brightness will exceed 6 ft Lambert (21 Cd/m<sup>2</sup>). Life expectancy of the LEDs shall be in excess of 20 years. Power consumption shall be less than 1/2 watt per face. The power supply and charger shall be an isolated digital type with regulated current and voltage output to the lamp load and batteries (emergency models). AC supply shall be universal 120/277 VAC input via two-wire feed.

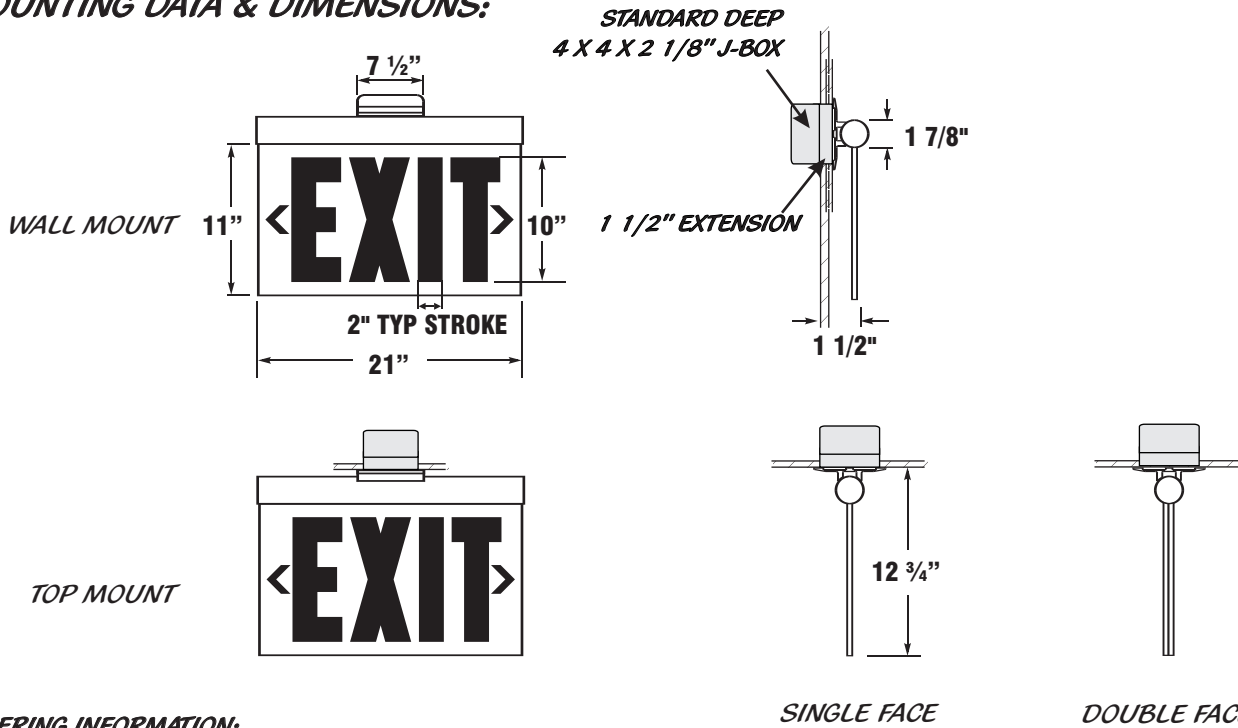
### OPTIONS:

OPTIONS:	CODE
End Mount	LE/RE
Damp Location	DP
Battery Diagnostics	DG
Pendant MT 12"	PEN B
Satin Black	B
Polished Gold	PG
Satin Bronze	BZ
Mirror Background (SF)	M
White Background (SF & DF)	W
Black Background (SF & DF)	B

For other Custom Colors or Options:  
Contact Factory

**NOTE: WALL AND CEILING MOUNT- PRE- INSTALL 4" X 4" X 2 1/8" DEEP J- BOX**

### MOUNTING DATA & DIMENSIONS:



### ORDERING INFORMATION:

EXAMPLE: CRS10BB-1RCW-NA-TW-DG

CRS10 BB - 1 R C W - NA - TW - DG

MODEL SERIES	OPERATION	NO. of FACES	LETTER COLOR	BACKGRD COLOR	STANDARD TRIM FINISH	ARROW DIRECTION	MOUNT	OPTIONS
CRS10	BB= Battery Backup NB= Ac Only	1= Single 2= Double	R= Red G= Green	C= Clear (SF) M= Mirror (DF) For Other Options See Above	BA= Brushed Aluminum W= White	NA= No Arrow AR= Arrow Right > AL= Arrow Left < AB= Arrow Both <>  Double Face Signs: NA= No Arrow LR= Single Arrow Each Side > AB= Double Arrow Each Side <>	Universal Top or Wall TW= Top or Wall	See Above



## Signtex Inc

LIGHTING

220 VFW Avenue, Grasonville, MD 21638  
TEL: (410) 827-8300 Fax: (410) 827-8866  
sales@signtexinc.com www.signtexinc.com

DISTRIBUTOR:

