

Remote Battery Supply

For Moonlite Emergency Fixtures & Exit Signs

Series RBS

RBS.03.10.01

GENERAL DESCRIPTION

The Remote Battery Supply is capable of powering any MOONLITE LED or LED Exit sign manufactured by Sigtex Lighting, Inc. The RBS can be mounted in any accessible wall or ceiling. A removable cover allows easy access to the electronics for service. Available with battery backup or AC supply only.

ELECTRONICS

- Isolated, all solid state power supply with 2- wire universal input from 120 VAC to 277 VAC with precise current and voltage regulation.
- Power supply is surge and spike protected, with a low voltage disconnect.
- The complete power supply module with optional NICAD battery pack is sealed within a phenolic plastic enclosure, which fits inside a standard 4" square deep J- box.. AC and DC wiring is quickly attached with plug connectors.

DIAGNOSTICS OPTION

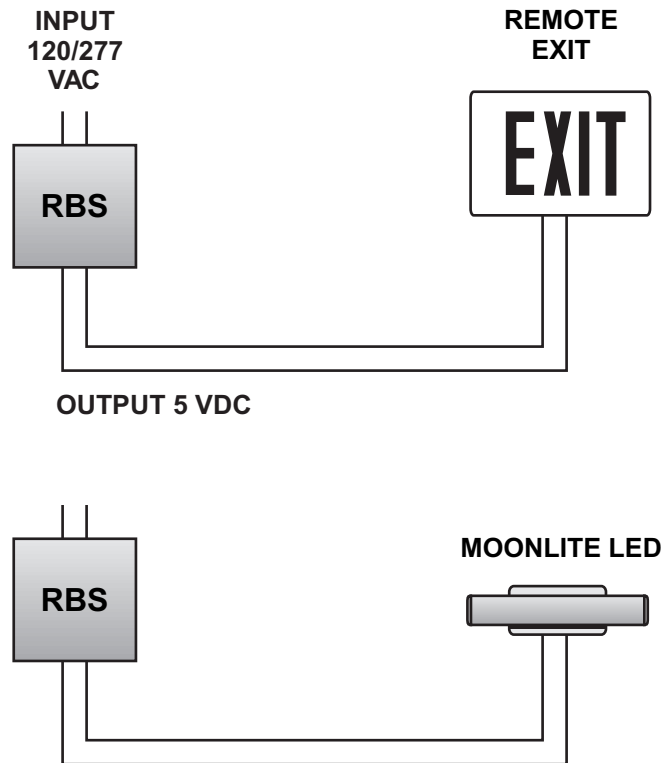
- An advanced microprocessor monitors all charger functions and battery condition continuously and automatically performs all tests and visual indications required by UL Standard 924.

CODES

- Manufactured and tested to UL Standard 924. Conforms to NFPA Life Safety Code 101, UBC and NEC.

WARRANTY

- 5 year total customer satisfaction warranty. For details see product catalog technical data section.



FIXTURE SCHEDULE

MODEL	CATALOG NO
APPROVAL	JOB INFORMATION



Remote Battery Supply

For Moonlite Emergency Fixtures & Exit Signs

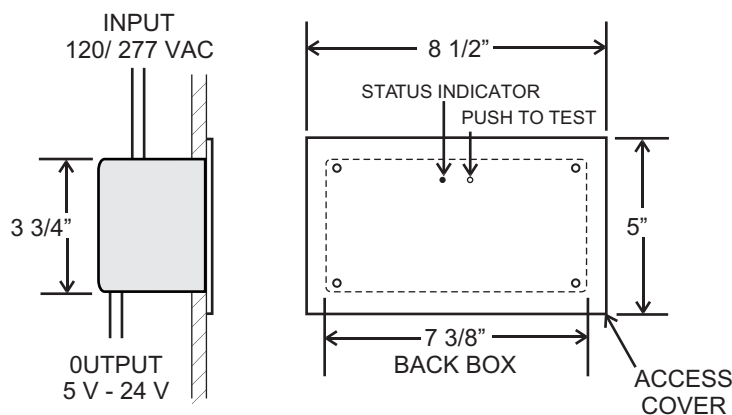
Series RBS

RBS.03.10.01

SUGGESTED SPECIFICATIONS:

Supply and install the Remote Battery Supply Series RBS manufactured by Sigtex Lighting Inc. The RBS will be capable of operating any exit sign or MOONLITE LED emergency fixture manufactured by Sigtex Lighting Inc. and shall be available with a NICAD battery and charger with universal 120/277 VAC input, to supply emergency lighting operation for a minimum of 90 minutes in compliance with UL Standard 924 and NFPALSC 101, or as a power supply without battery. The RBS shall also be capable of operating MOONLITE LED fixtures manufactured by Sigtex in normally- on or continuous mode, from 120/277VAC power input.

MOUNTING DATA & DIMENSIONS:



MAXIMUM WIRING LENGTH FROM RBS TO FIXTURE

WIRING SIZE AWG	LENGTH (FT)		
	LED EXIT & MOONLITE LED BB MODELS 4.8v	MOONLITE LED 12v	MOONLITE LED 24v
#20	100	22	89
#18	170	35	142
#16	430	56	225

ORDERING INFORMATION: EXAMPLE: RBSBBMLW-DG

RBS	BB	ML	W	-DG
MODEL SERIES	OPERATION	FIXTURE	TRIM FINISH	OPTIONS
RPS=REMOTE BATTERY SUPPLY	BB= Battery Backup NB=No Battery	ML= Moonlite LED EX= Exit LED	W= White A= Aluminum X= Custom	DP = Damp Location DG = Battery Diagnostics DAC= Dual AC Input (120 DAC)

Sigtex Inc
LIGHTING
220 VFW Avenue, Grasonville, MD 21638
TEL: (410) 827-8300 Fax: (410) 827-8866
sales@sigtexinc.com www.sigtexinc.com

DISTRIBUTOR:

Specifications and Dimensions subject to change without notice.