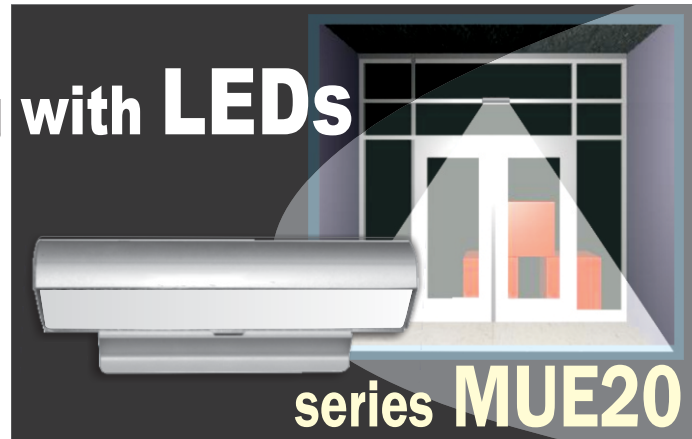


# The Brightest Idea is Emergency Lighting with LEDs



## GENERAL DESCRIPTION

This fixture is designed to mount directly on structural mullion beams used in typical glass-fronted entrances, with vertical surface as small as 2". This fixture has full 90° cut-off and will provide efficient emergency lighting in front of egress doorways, or along extended pathways.

## CONSTRUCTION

- Rugged extruded aluminum housing with stainless hardware is corrosion proof.
- Wet location listed UL 924. Certified IP66.
- Uniform, high brightness lighting over the path of egress.
- Full 90° cut-off.
- Two versions are available:

**RE=** Central Battery System Series CBS or other qualified source 12V- 24 VDC.

**AC=** 120/ 277 VAC supply.

## ELECTRONICS

- Dual operation from either a battery or optional normally on power source.
- Lamps are connected in parallel-series strings, as required to meet requirements of NEC and Life Safety Codes. Lighting continues even after failure of One lamp or circuit.

## ENERGY EFFICIENT OPERATION

- Optional dual function operation for normally on night or security lighting as well as emergency lighting.
- Very low power consumption in night/ security mode. The security lighting circuit is independent of emergency lighting and may be switched manually, by an exterior photocell, or other automatic means.
- Over 50,000 hour lamp life in normal use.
- IES photometric data available for all models.

## CODES

- Manufactured and tested to UL Standard 924 and NFPA Life Safety Code 101.

## WARRANTY

- 5 year total customer satisfaction warranty. For Details see product catalog technical data section.

## FIXTURE SCHEDULE

<b>MODEL</b>	<b>CATALOG NO</b>
<b>APPROVAL</b>	<b>JOB INFORMATION</b>



# Moonlite LED™ Mullion Mount Emergency Light

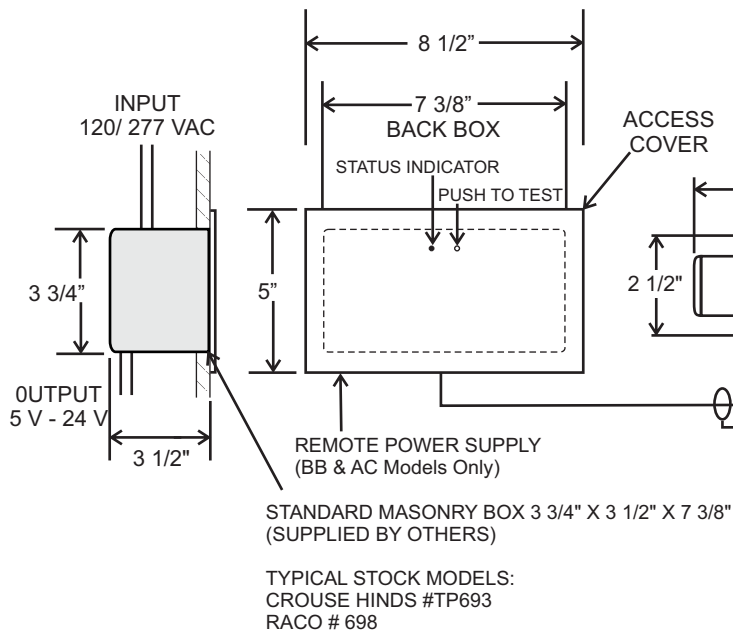
# Outdoor Egress Series MUE20

MUE20.07.14.00

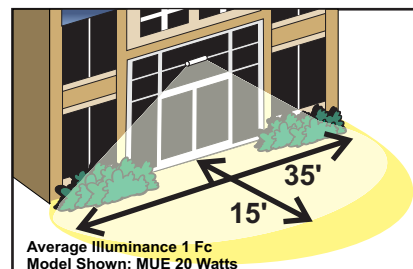
## SUGGESTED SPECIFICATIONS:

Supply and install the MOONLITE LED Series MUE Mullion Mount emergency lighting fixture manufactured by Sigtex Lighting Inc. The MUE assembly shall be listed for installation in wet locations in compliance with UL 924 and IP66 standards and shall be capable of operating from Sigtex remote power supply Series RPS, the Sigtex central battery system Series CBS, or from other remote power sources supplying 12-24 VDC or VAC. Upon loss of AC building power, emergency models shall operate for a minimum of 90 minutes in compliance with UL Standard 924 and NFPA LSC 101.

## MOUNTING DATA & DIMENSIONS:



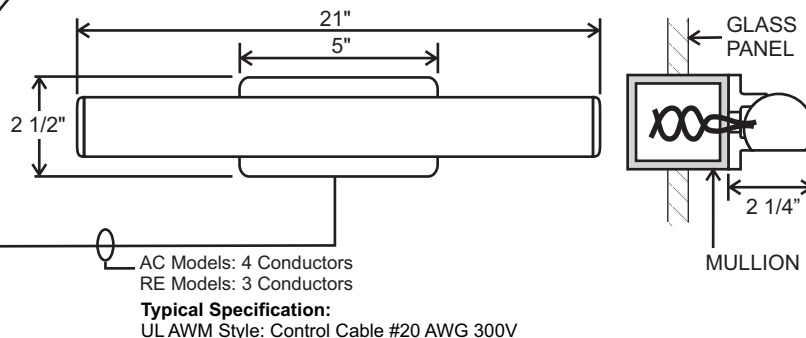
## SPACING GUIDE



**NOTE:** FOR REFERENCE ONLY. STANDARD REFLECTANCES 80/50/20. SIGTEX IS NOT RESPONSIBLE FOR SPECIFIC CONDITIONS THAT MAY ALTER THE RESULTS.

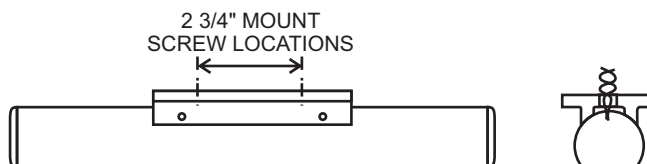
**CONTACT SIGTEX FOR LAYOUT ASSISTANCE**  
Code Compliant Emergency lighting layouts provided free of charge!

## MULLION MOUNT



AC Models: 4 Conductors  
RE Models: 3 Conductors  
**Typical Specification:**  
UL AWM Style: Control Cable #20 AWG 300V

## TOP MOUNT



MAX WIRING LENGTH FROM RPS TO FIXTURE	
WIRING SIZE AWG	LENGTH (FT)
	BB & AC
#20	100
#18	170
#16	225

**Emergency Power Rating (EPR): 20 WATTS**

**Security Power Rating (SPR): 20 WATTS**

## FIXTURE ORDERING INFORMATION: EXAMPLE: MUEAC10AW-DG

**MUE20**

**AC**

**A**

**W**

**-2HT**

MODEL SERIES	OPERATION	HOUSING COLOR	MOUNT	OPTIONS
MUE20	RE= Central Battery or other 12- 24 VDC Remote Source AC= No Battery (Includes RPS)	W= Satin White A= Aluminum B= Dark Bronze X= Custom	T= Top W= Wall	2HT= 2" Canopy Height 5HT= 5" Canopy Height

**Sigtex Inc**  
LIGHTING  
220 VFW Avenue, Grasonville, MD 21638  
TEL: (410) 827-8300 Fax: (410) 827-8866  
sales@sigtexinc.com www.sigtexinc.com

## DISTRIBUTOR:

Specifications and Dimensions subject to change without notice.