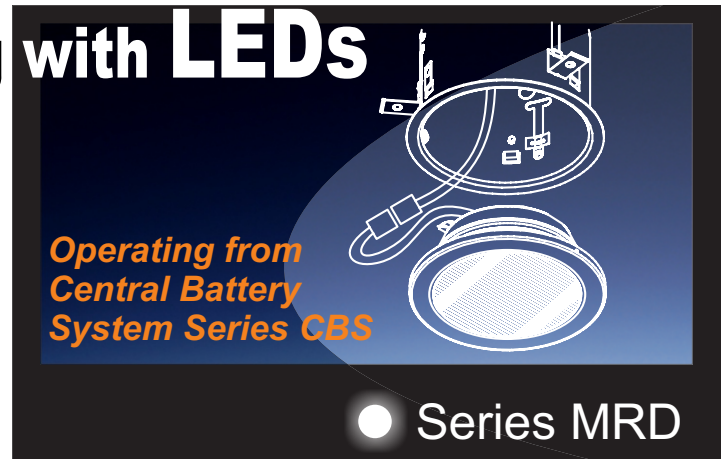


# The Brightest Idea is Emergency Lighting with LEDs

## GENERAL DESCRIPTION

With spacing up to 55 ft in 9 ft ceilings, this recessed down light for lighting retrofit has only a 4" trim, and is our most efficient emergency luminaire. Very effective in long corridors, it is inconspicuous and will blend with general lighting fixtures without affecting the appearance of ceiling layouts.



## CONSTRUCTION

- 4" Trim ring installation with standard can and Back plate.

- Three versions available:

BB=Unit equipment with self-contained battery

RE=Remote for connection to 24 VDC Central Battery System

AC=Remote for connection to AC 120/277 emergency supply.

## ELECTRONICS

- Lamps are connected in parallel. If one lamp fails, one or more lamps will continue in operation.
- Universal 120/277 VAC input for standard battery or AC unit, or 24 VDC input for remote configuration.
- Power supply delivers regulated current and voltage to LED lamps at optimum levels to maximize lamp life.
- Automatic battery diagnostics available for all battery models.

## ENERGY EFFICIENT OPERATION

- Emergency lighting with optional dual function operation for night or security lighting.
- Very low power consumption in optional night/ security mode. The security lighting circuit is independent of emergency lighting and may be switched manually, by an exterior photocell, or other automatic means.
- Over 50,000 hour lamp life in normal use.
- IES photometric data available for all models.

## CODES

- Manufactured and tested to UL Standard 924 and NFPA Life Safety Code 101.

## WARRANTY

- 5 year total customer satisfaction warranty. For details see product catalog technical data section.



## FIXTURE SCHEDULE

MODEL	CATALOG NO
APPROVAL	JOB INFORMATION



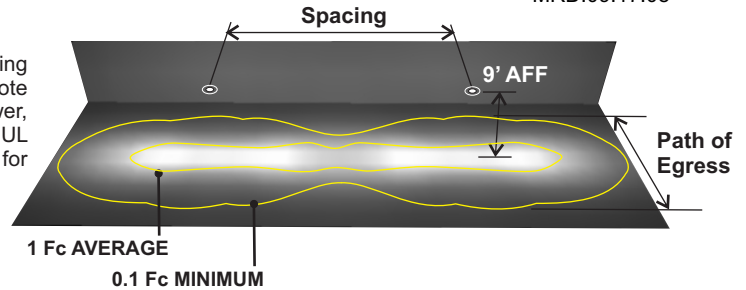
# Moonlite LED™ Emergency & Security Light For Lighting Retrofit

# Recessed LED Down Light Series MRD

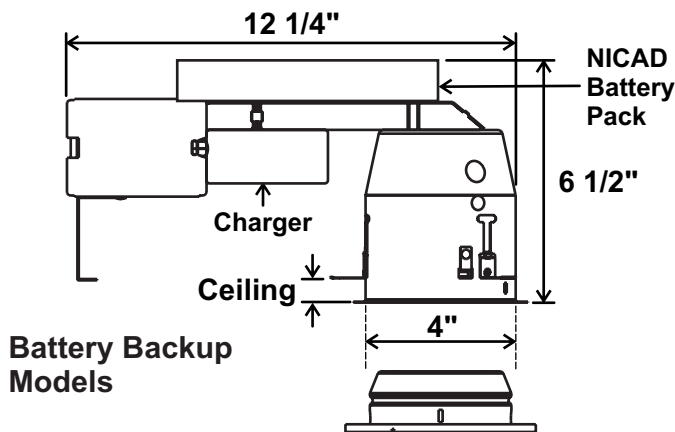
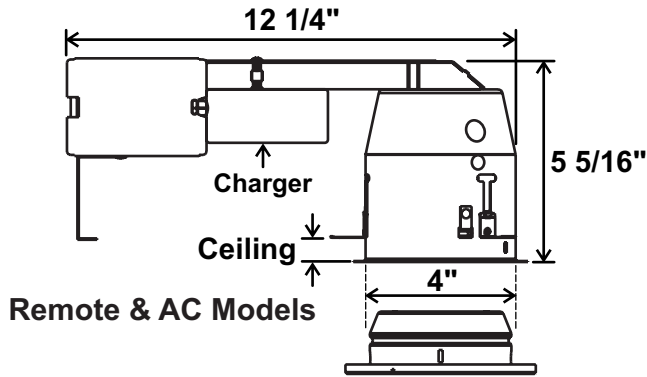
MRD.09.17.08

## SUGGESTED SPECIFICATIONS:

Install MOONLITE™ Series MRD Recessed LED downlight emergency lighting fixture manufactured by Signtex Inc., available as unit equipment or as a remote device connected to a Central Battery power source. Upon loss of AC building power, emergency models shall operate for a minimum of 90 minutes in compliance with UL 924 and NFPA LSC Code 101. The unit may be specified to operate continuously for security or night lighting, as required.



## MOUNTING DATA & DIMENSIONS:



## SELF-TEST DIAGNOSTIC FUNCTIONS BB MODELS WITH DG OPTION

STATUS	LED DISPLAY
NORMAL FULL CHARGE	GREEN ON
NORMAL FAST CHARGE	ORANGE ON
FAILED BATTERY	RED FLASH FAST
FAILED LAMP	GREEN FLASH
FAILED TRANSFER	ORANGE FLASH
FAILED CHARGER	RED FLASH SLOW

## SPACING GUIDE

Average Illuminance 1 Fc

Model	Mtg. Ht.	SPACING		
		Path of Egress Width		
		3 Ft.	6 Ft.	10 Ft.
7 W	9'	50'	40'	25'
10 W	9'	55'	50'	40'

**NOTE:** TESTED IN ACCORDANCE WITH IES STANDARD LM-79-08 FOR SOLID STATE LIGHTING PRODUCTS. FOR REFERENCE ONLY. STANDARD REFLECTANCES 80/50/20. SIGNTEX IS NOT RESPONSIBLE FOR SPECIFIC CONDITIONS THAT MAY ALTER THE RESULTS. COMPLETE IES PHOTOMETRIC DATA AVAILABLE AT [WWW.SIGNTEXINC.COM](http://WWW.SIGNTEXINC.COM) FOR YOUR CONVENIENCE.

**CONTACT SIGNTEX FOR LAYOUT ASSISTANCE**  
Code Compliant Emergency lighting layouts provided free of charge!

## POWER RATING

MODEL	OPERATION	WATTS	
BB	Emergency	7	10
	SEC/ Normal On	4	5
RE	Emergency	7	10
	SEC- Standard	4	5
	SEC- HPS	7	10
AC	Line Voltage	4	7

## SECURITY LIGHTING CONTROL

**RE Models:** Requires SEC Option 'S' with CBL

**BB Models:** Requires Option '-SB120' for connection to 120 VAC  
Requires Option '-SD277' for connection to 277 VAC

**BB-DG Models:** Requires Option '-SD' for connection to 120/ 277 VAC

## ORDERING INFORMATION: EXAMPLE: MRDRE7W-DP

MRD	RE	7	W	-	DP
MODEL SERIES	OPERATION	WATTS	TRIM COLOR		OPTIONS
MRD	BB= Battery Backup RE= Remote with Central Battery System AC= AC Supply 120/277V	<b>BB &amp; RE Models</b> 7 = 7 Watts 10 = 10 Watts  <b>AC Models</b> 4 = 4 Watts 7 = 7 Watts	W=White  'X'=Custom		DP= Damp Location DG= Battery Diagnostics (BB Models Only) HPS= High Power SEC Mode (RE Models Only) SB120= Security Lighting with Control Switch for Standard BB Operation (120V) SD277= Security Lighting with Control Switch for Standard BB Operation (277V) SD= Security Lighting with Control Switch for BB Operation with DG option (120/ 277V)



**Signtex Inc**  
LIGHTING

220 VFW Avenue, Grasonville, MD 21638  
TEL: (410) 827-8300 Fax: (410) 827-8866  
sales@signtexinc.com www.signtexinc.com

**DISTRIBUTOR:**

Specifications and Dimensions subject to change without notice.