

The Brightest Idea is Emergency Lighting with LEDs

GENERAL DESCRIPTION

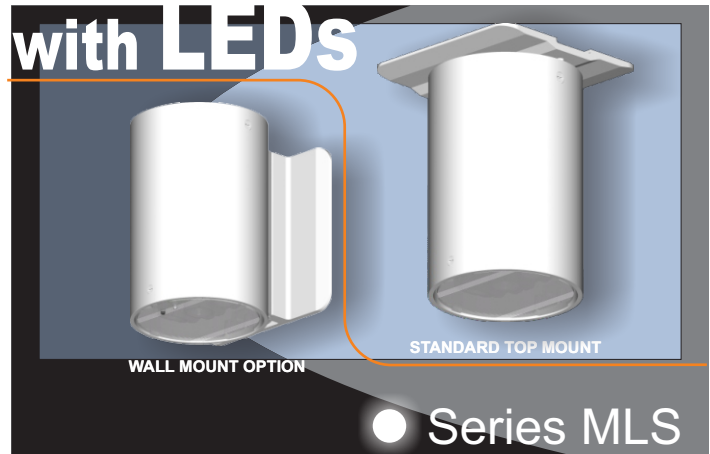
This architectural housing design blends well with any environment. All parts are machined from extruded aluminum and can be custom finished at the factory to match any interior design plan.

CONSTRUCTION

- Housing and canopy plate from rugged extruded aluminum.
- Mounts cleanly with standard back plate to wall or ceiling, or direct to j-box for exposed conduit applications, such as unfinished ceilings.
- Standard satin white finish; custom paint or satin anodized finishes are also available.
- Three versions available:
 - BB= Unit equipment with self-contained battery
 - RE= Remote for connection to 24 VDC Central Battery System
 - AC= Remote for connection to AC 120/277 emergency supply.

ELECTRONICS

- Lamps are connected in parallel. If one lamp fails, one or more lamps will continue in operation.
- Universal 120/277 VAC input for standard battery or AC unit, or 24 VDC input for remote configuration.
- Power supply delivers regulated current and voltage to LED lamps at optimum levels to maximize lamp life.
- Automatic battery diagnostics available for all battery models.



ENERGY EFFICIENT

- Emergency lighting with optional dual function operation for night or security lighting.
- Very low power consumption in optional night/ security mode. The security lighting circuit is independent of emergency lighting and may be switched manually, by an exterior photocell, or other automatic means.
- Over 50,000 hour lamp life in normal use.
- IES photometric data available for all models.

CODES

- Manufactured and tested to UL Standard 924 and NFPA Life Safety Code 101.

WARRANTY

- 5 year total customer satisfaction warranty. For details see product catalog technical data section.



FIXTURE SCHEDULE

MODEL	CATALOG NO
APPROVAL	JOB INFORMATION



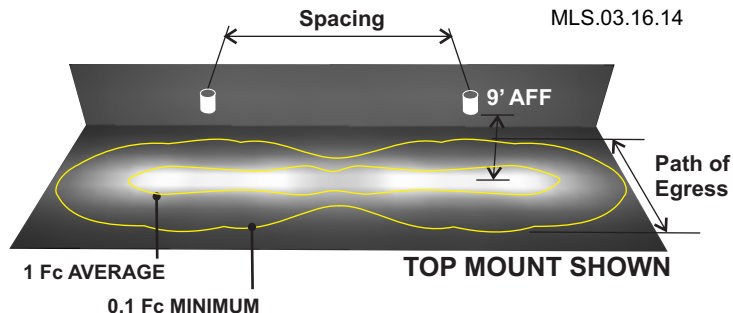
Moonlite LED® LED Egress Emergency with Night Lighting Option

Surface Mount LED Down Light Series MLS

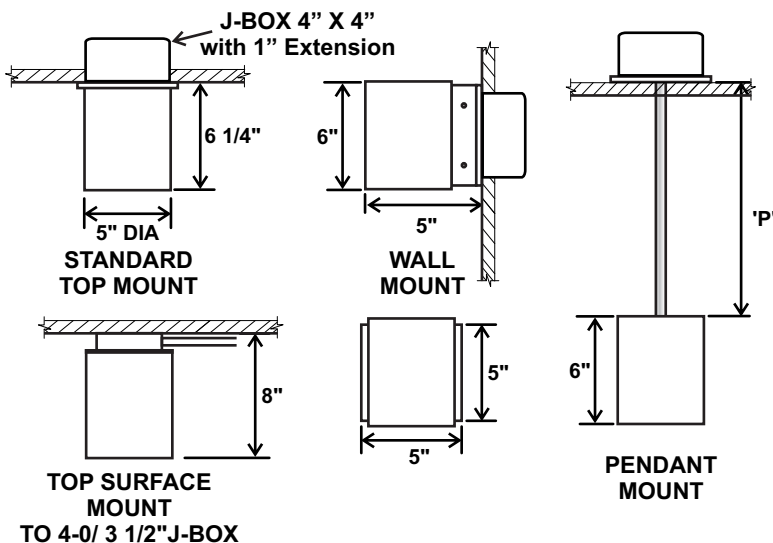
MLS.03.16.14

SUGGESTED SPECIFICATIONS:

Install MOONLITE® Series MLS Surface Mount LED down light emergency lighting fixture manufactured by Sigtex Inc., available as unit equipment or as a remote device connected to a central battery power source. Upon loss of AC building power, emergency models shall operate for a minimum of 90 minutes in compliance with UL 924 and NFPA LSC Code 101. The unit may be specified to operate continuously for security or night lighting, as required. The battery charger and power supply shall have universal input of 120/277 VAC, with brownout and LVD circuit protection. Auto battery diagnostics shall be available for all models, as specified and shall perform all test functions specified by UL 924 and NFPA 101.



MOUNTING DATA & DIMENSIONS:



SPACING GUIDE Average Illuminance 1 Fc

Model	Mtg. Ht.	SPACING		
		Path of Egress Width		
		3 Ft.	6 Ft.	10 Ft.
7 W	9'	50'	40'	25'
10 W	9'	55'	50'	40'

NOTE: TESTED IN ACCORDANCE WITH IES STANDARD LM-79-08 FOR SOLID STATE LIGHTING PRODUCTS. FOR REFERENCE ONLY. STANDARD REFLECTANCES 80/50/20. SIGTEX IS NOT RESPONSIBLE FOR SPECIFIC CONDITIONS THAT MAY ALTER THE RESULTS. COMPLETE IES PHOTOMETRIC DATA AVAILABLE AT WWW.SIGTEXINC.COM FOR YOUR CONVENIENCE.

CONTACT SIGTEX FOR LAYOUT ASSISTANCE
Code Compliant Emergency lighting layouts provided free of charge!

POWER RATING

MODEL	OPERATION	WATTS	
		BB	Emergency
	SEC/ Normal On	4	5
RE	Emergency	7	10
	SEC- Standard	4	5
	SEC- HPS	7	10
AC	Line Voltage	4	7

SELF- TEST DIAGNOSTIC FUNCTIONS

BB MODELS WITH DG FUNCTION

STATUS	LED DISPLAY
NORMAL FULL CHARGE	GREEN ON
NORMAL FAST CHARGE	ORANGE ON
FAILED BATTERY	RED FLASH FAST
FAILED LAMP	GREEN FLASH
FAILED TRANSFER	ORANGE FLASH
FAILED CHARGER	RED FLASH SLOW

SECURITY LIGHTING CONTROL

RE Models: Requires SEC Option 'S' with CBS

BB Models: Requires Option 'SB' for connection to 120 VAC

BB-DG Models: Requires Option 'SD' for connection to 120/ 277 VAC

ORDERING INFORMATION: EXAMPLE: MLSRE7-DP

MODEL SERIES	OPERATION	WATTS	TRIM COLOR	OPTIONS
MLS	BB= Battery Backup RE= Remote with Central Battery System AC= AC Supply 120/ 277V	BB & RE Models 7 = 7 Watts 10 = 10 Watts AC Models 4 = 4 Watts 7 = 7 Watts	W=White 'X'=Custom	DG= Battery Diagnostics (BB Models Only) DP= Damp Location WM= Wall Mount SMJ= Surface Mount to J- Box P6= 6" Pendant Mt P12= 12" Pendant Mt SB= Security Lighting with Control Switch for Standard BB Operation (120V) SD= Security Lighting with Control Switch for BB Operation with DG option (120/ 277V) HPS= High Power in SEC Mode (RE Models Only) HT= High Temperature

Sigtex Inc
LIGHTING

220 VFW Avenue, Grasonville, MD 21638
TEL: (410) 827-8300 Fax: (410) 827-8866
sales@sigtexinc.com www.sigtexinc.com

DISTRIBUTOR:

Specifications and Dimensions subject to change without notice.