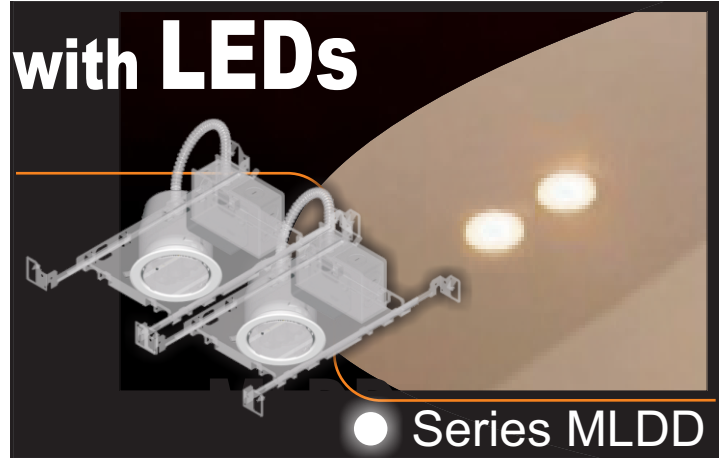


# The Brightest Idea is Emergency Lighting with LEDs

**GENERAL DESCRIPTION**

Designed for mounting heights up to 30 ft. or more, this recessed LED fixture produces over 860 lumens with dual optical lenses to produce a wide, elongated beam along the path of egress. With installed spacing of 50 ft. in a ceiling of 30 ft., an average of 1 Footcandle is easily achieved.



**CONSTRUCTION**

- Three versions available:
  - BB= Unit equipment with self- contained battery.
  - RE= Remote for connection to 24 VDC Central Battery System
  - AC= Remote for connection to AC 120/277 emergency supply.

**ELECTRONICS**

- Lamps are connected in parallel. If one lamp fails, one or more lamps will continue in operation.
- Universal 120/277 VAC input for standard battery or AC unit, or 24 VDC input from the Sigtex Series CBS Central Battery System.
- Power supply delivers regulated current and voltage to LED lamps at optimum levels to maximize lamp life.
- Automatic battery diagnostics available for all battery models.

**ENERGY EFFICIENT**

- Emergency lighting with optional dual function operation for night or security lighting.
- Very low power consumption in optional night/ security mode. The security lighting circuit is independent of emergency lighting and may be switched manually, by an exterior photocell, or other automatic means.
- Over 50,000 hour lamp life in normal use.
- IES photometric data available for all models.

**CODES**

- Manufactured and tested to UL Standard 924 and NFPA Life Safety Code 101.

**WARRANTY**

- 5 year total customer satisfaction warranty. For details see product catalog technical data section.



FIXTURE SCHEDULE

MODEL	CATALOG NO
APPROVAL	JOB INFORMATION



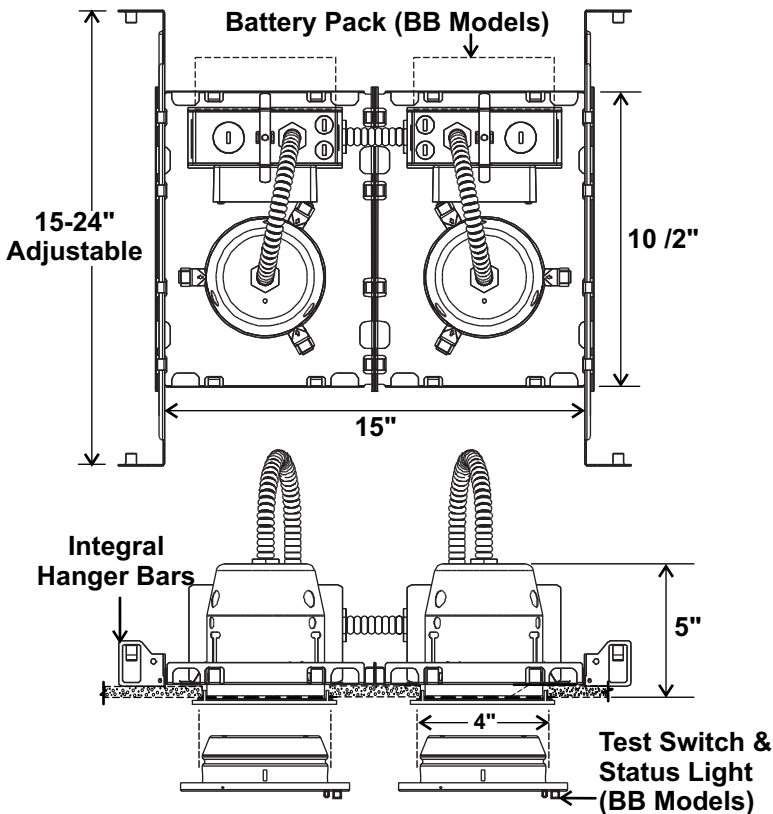
# Moonlite LED® High Output Recessed Mount LED Down Light Series MLDD LED Egress Emergency with Night Lighting Option

MLDD.09.17.06

## SUGGESTED SPECIFICATIONS:

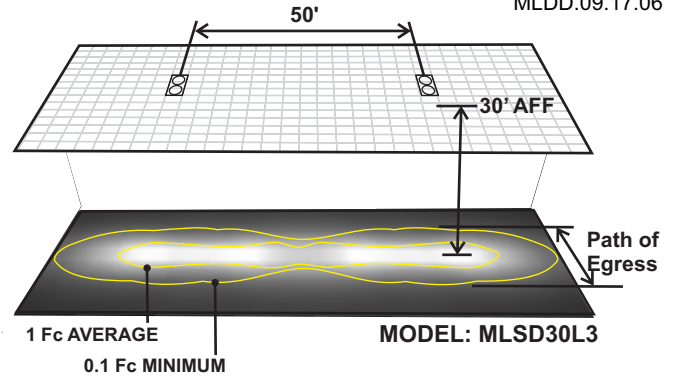
Install MOONLITE® Series MLDD Recessed Mount LED down light emergency lighting fixture manufactured by Sigtex Inc., available as unit equipment or as a remote device connected to a central battery power source. Upon loss of AC building power, emergency models lighting shall operate for a minimum of 90 minutes in compliance with UL 924 and NFPA LSC Code 101. The unit may be specified to operate continuously for security or night lighting, as required. The battery charger and power supply shall have universal input of 120/277 VAC, with brownout and LVD circuit protection. Auto battery diagnostics shall be available for all models, as specified and shall perform all test functions specified by UL 924 and NFPA 101.

## MOUNTING DATA & DIMENSIONS:



## SELF-TEST DIAGNOSTIC FUNCTIONS BB MODELS WITH DG FUNCTION

STATUS	LED DISPLAY
NORMAL FULL CHARGE	GREEN ON
NORMAL FAST CHARGE	ORANGE ON
FAILED BATTERY	RED FLASH FAST
FAILED LAMP	GREEN FLASH
FAILED TRANSFER	ORANGE FLASH
FAILED CHARGER	RED FLASH SLOW



## SPACING GUIDE Average Illuminance 1 Fc

Model	Mtg. Ht.	SPACING	
		Path of Egress Width	
		3 Ft.	10 Ft.
14 W	30'	35'	N/A
20 W	30'	50'	35'

**NOTE:** TESTED IN ACCORDANCE WITH IES STANDARD LM-79-08 USING ABSOLUTE PHOTOMETRY FOR SOLID STATE LIGHTING PRODUCTS. FOR REFERENCE ONLY. STANDARD REFLECTANCES 80/50/20. SIGTEX IS NOT RESPONSIBLE FOR SPECIFIC CONDITIONS THAT MAY ALTER THE RESULTS. COMPLETE IES PHOTOMETRIC DATA AVAILABLE AT [WWW.SIGTEXINC.COM](http://WWW.SIGTEXINC.COM) FOR YOUR CONVENIENCE.

## CONTACT SIGTEX FOR LAYOUT ASSISTANCE

Code Compliant Emergency lighting layouts provided free of charge!

## POWER RATING

MODEL	OPERATION	WATTS	
BB	Emergency	14	20
	SEC/ Normal On	8	10
RE	Emergency	14	20
	SEC- Standard	8	10
	SEC- HPS	14	20
AC	Line Voltage	8	14

## SECURITY LIGHTING CONTROL

**RE Models:** Requires SEC Option 'S' with CBL

**BB Models:** Requires Option '-SB120' for connection to 120 VAC  
Requires Option '-SD277' for connection to 277 VAC

**BB-DG Models:** Requires Option '-SD' for connection to 120/ 277 VAC

## ORDERING INFORMATION: EXAMPLE: MLDDRE14W-DP

MLDD	RE	14	W	DP
MODEL SERIES	OPERATION	WATTS	TRIM COLOR	OPTIONS
MLDD	BB = Battery Backup RE = Remote with Central Battery System AC = AC Supply 120/ 277V	BB & RE Models 14 = 14 Watts 20 = 20 Watts  AC Models 8 = 8 Watts 14 = 14 Watts	W=White  'X'=Custom	DG= Battery Diagnostics (BB Models Only) DP= Damp Location SB120= Security Lighting with Control Switch for Standard BB Operation (120V) SD277= Security Lighting with Control Switch for Standard BB Operation (277V) SD= Security Lighting with Control Switch HPS= High Power in SEC Mode (RE Models Only)



**Sigtex Inc**  
LIGHTING

220 VFW Avenue, Grasonville, MD 21638  
TEL: (410) 827-8300 Fax: (410) 827-8866  
sales@sigtexinc.com www.sigtexinc.com

## DISTRIBUTOR:

Specifications and Dimensions subject to change without notice.