

The Brightest Idea is Emergency Lighting with LEDs

GENERAL DESCRIPTION

A dramatic new and compact architectural design, providing powerful emergency and normal lighting for over-door and other exterior locations, with full 90° cut-off. The lamp housing and canopy are fabricated from extruded aluminum, in enamel or anodized finishes, with rugged sealed diffuser lens and stainless hardware, for wall or ceiling mount.



CONSTRUCTION

- Extremely low profile, formed aluminum housing. Standard finish is white satin paint; custom colors are available, including brushed aluminum anodized finishes.
- Wet location listed Ip66.
- Uniform elongated lighting pattern over required path of Egress.
- Full 90° cut-off.
- Three versions are available:

RE= Central Battery System Series CBS or other qualified source 12V- 24 VDC.

BB= Battery Backup

AC= 120/277 VAC supply

ELECTRONICS

- Lamps are connected in parallel. If one lamp fails, one or more lamps will continue in operation.
- Universal 120/277 VAC input for standard battery or AC unit, or 24 VDC input for remote configuration.
- Power supply delivers regulated current and voltage to LED lamps at optimum levels to maximize lamp life.
- Automatic battery diagnostics available for all battery Models.

ENERGY EFFICIENT OPERATION

- Emergency lighting with optional dual function operation for night or security lighting.
- Very low power consumption in optional night/security mode. The security lighting circuit is independent of emergency lighting and may be switched manually, by an exterior photocell, or other automatic means.
- Over 50,000 hour lamp life in normal use.
- IES photometric data available for all models.

CODES

- Manufactured and tested to UL Standard 924 and NFPA Life Safety Code 101.

WARRANTY

- 5 year total customer satisfaction warranty. For details see product catalog technical data section.

FIXTURE SCHEDULE

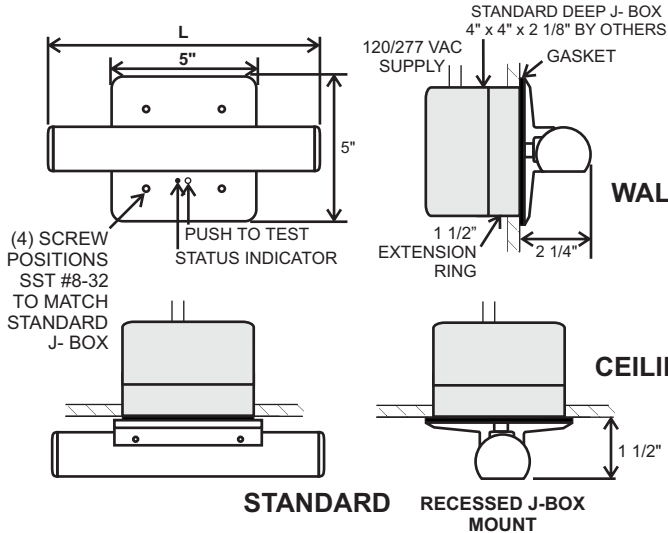
MODEL	CATALOG NO
APPROVAL	JOB INFORMATION



SUGGESTED SPECIFICATIONS:

Install MOONLITE™ Series MAE architectural emergency lighting fixture manufactured by Sigtex Lighting, Inc. The MAE assembly shall be listed for installation in wet locations in compliance with UL 924 and IP66 standards, available as unit equipment or as a remote connected to a central battery power source. Upon loss of AC building power, lighting will be activated for a minimum of 90 minutes under battery power, in compliance with UL 924 and NFPA LSC Code 101. In remote configuration, the unit may be specified to operate continuously for security or night lighting, as required. The battery charger and power supply shall have universal input of 120/277 VAC, with brownout and LVD circuit protection. Auto battery diagnostics shall be available for all models and shall perform all test functions specified by UL 924 and NFPA 101.

MOUNTING DATA & DIMENSIONS:



LENGTH TABLE

POWER	L
10 Watts	10"
20 Watts*	21"

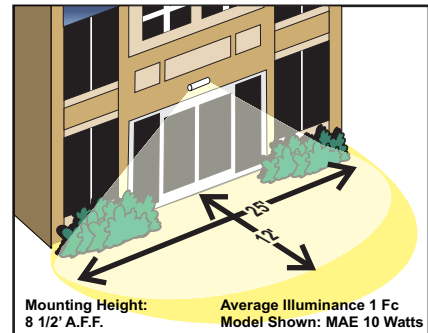
*RE & AC Models Only

WALL MOUNT

CEILING MOUNT

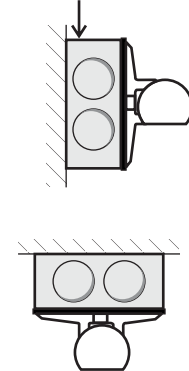
STANDARD RECESSED J-BOX MOUNT

SPACING GUIDE



NOTE: FOR REFERENCE ONLY. STANDARD REFLECTANCES 80/50/20. SIGTEX IS NOT RESPONSIBLE FOR SPECIFIC CONDITIONS THAT MAY ALTER THE RESULTS. **CONTACT SIGTEX FOR LAYOUT ASSISTANCE** Code Compliant Emergency lighting layouts provided free of charge!

TWO-GANG FIXTURE BOX:
DIE CAST ALUMINUM 2" DEEP 28 CUBIC IN.
(Supplied by others)
EXAMPLE: BELL #5346-0 OR EQUAL



SURFACE MOUNT-FITTED (RE Models Only)

SECURITY / NIGHT LIGHTING

BB Models with SW Option
RE Models (All)

EM Watts	SEC Power- Watts
10	10

SELF-TEST DIAGNOSTIC FUNCTIONS

BB MODELS WITH DG FUNCTION

STATUS	LED DISPLAY
NORMAL FULL CHARGE	GREEN ON
NORMAL FAST CHARGE	ORANGE ON
FAILED BATTERY	RED FLASH FAST
FAILED LAMP	GREEN FLASH
FAILED TRANSFER	ORANGE FLASH
FAILED CHARGER	RED FLASH SLOW

SECURITY LIGHTING CONTROL

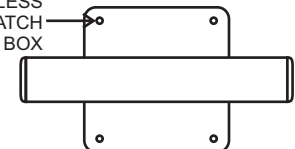
RE Models: Requires SEC Option 'S' with CBS
BB Models: Requires Option 'SB' for connection to 120 VAC
BB-DG Models: Requires Option 'SD' for connection to 120/ 277 VAC

RATED IP 66:

SUITABLE FOR WET LOCATIONS

AMBIENT TEMPERATURE LIMITS:
Standard "BB" models: -20° C to +40° C
Remote models: -40° C to +50° C
**** NOTE Security Lighting is REQUIRED for operations at -40°C.**
Fixtures will operate when ambient drop below -20C

(4) SCREWS STAINLESS #6-32 TO MATCH DEVICE BOX



ORDERING INFORMATION: EXAMPLE: MAEBB10WW-DG

MAE	BB	10	W	W	-DG
MODEL SERIES	OPERATION	POWER RATING	HOUSING COLOR	MOUNT	OPTIONS
MAE	RE= Remote with Central Battery System BB= Battery Backup AC= AC Supply 120/277V	10= 10 Watts Emergency & Normal On Power 20= 20 Watts Emergency & Normal On power* *(RE & AC Models Only)	W= Satin White A= Aluminum 'X'=Custom B= Dark Bronze	T= Top W= Wall	DG= Battery Diagnostics SB= Security Lighting with Control Switch for Standard BB Operation (120V) SD= Security Lighting with Control Switch for BB Operation with DG option (120/ 277V) DAC= Dual AC Input SFF= Surface Mount Fitted* LT= Low Temp Operation to -40C**



Sigtex Inc
LIGHTING

220 VFW Avenue, Grasonville, MD 21638
TEL: (410) 827-8300 Fax: (410) 827-8866
sales@sigtexinc.com www.sigtexinc.com

DISTRIBUTOR:

Specifications and Dimensions subject to change without notice.

*RE Models Only
**Requires RPS. See RPS spec sheet