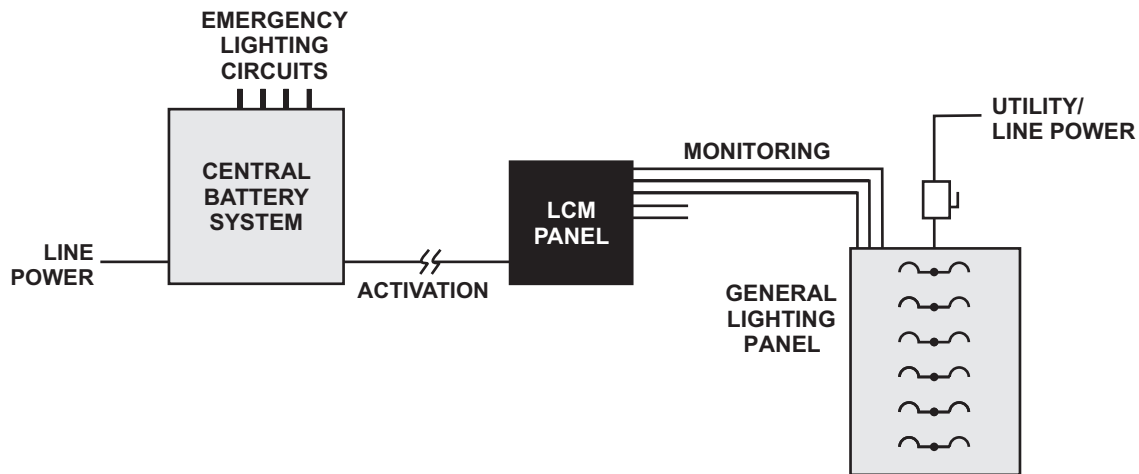


Central Battery System Local Branch Circuit Monitoring

Series LCM

LCM.02.10.03



GENERAL DESCRIPTION

The LCM panel monitors the status of up to eight (8) branch circuits for normally-on or general lighting. If any monitored circuit breaker is opened, the LCM will send a signal to a Central Battery System to activate emergency lighting in the area normally illuminated from the monitored circuit. Where required, the LCM enables compliance with NFPA Life Safety Code 101 (2009), Para 7.9.2.3, which states:

The emergency lighting system shall be arranged to provide the required illumination automatically in the event of any interruption of normal lighting due to any of the following:

- (1) Failure of public utility or other outside electrical power supply.
- (2) Opening of a circuit breaker or fuse.
- (3) Manual act(s), including accidental opening of a switch controlling normal lighting facilities.

CONSTRUCTION & OPERATION

- NEMA Type 1, UL 50 steel enclosure for surface (wall) mount, optional recess mount.
- Up to (8) relay switches with normally open contacts.
- Upon loss of power from any monitored circuit breaker, a 12VDC signal is sent to a CBS panel containing an emergency transfer switch, to activate emergency lighting.

ELECTRICAL

- Input 120 VAC (optional 277VAC)
- Max 5 watts power consumption in normal mode.
- Up to eight sensing relays are UL Recognized and rated for continuous duty.
- The output circuit to a CBS may be installed using #22AWG NEC/Class 2 wiring.

CODES

- Operation Complies with requirements of NFPA Life Safety Code 101 (2009), Para 7.9.2.3.(2) and (3).

FIXTURE SCHEDULE

MODEL	CATALOG NO
APPROVAL	JOB INFORMATION



Signtex Inc
LIGHTING
SPECIFIED EMERGENCY LIGHTING

Central Battery System Local Branch Circuit Monitoring

Series LCM

LCM.02.10.03

SUGGESTED SPECIFICATION

Supply and install Sigtex Local Circuit Monitoring Panel Series LCM which shall be capable of monitoring up to eight (8) branch circuits for normally-on or general lighting. Monitoring circuits to the lighting panel shall operate at 120VAC, or optionally at 277VAC. Upon failure or opening of any monitored circuit breaker, the LCM will signal a Sigtex Series CBS Central Battery System to activate emergency lighting in the area normally illuminated from the monitored circuit.

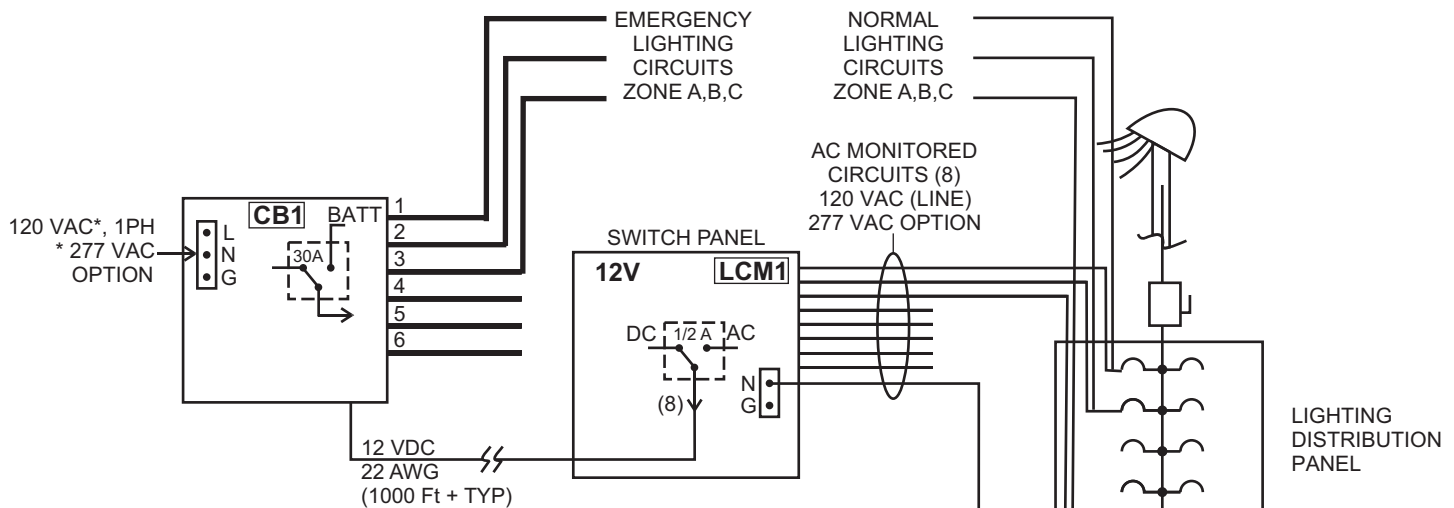
OPTIONS

277 VAC Input
Recess Mount
Key Lock

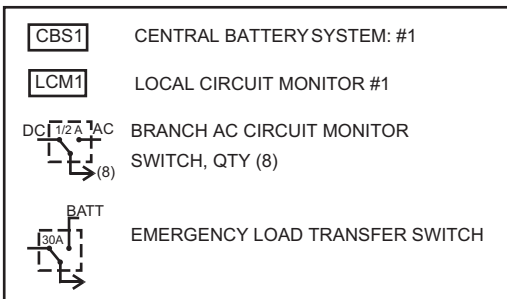
CODE

277
REC
LOK

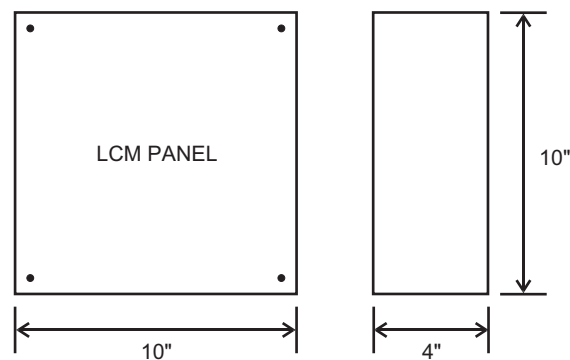
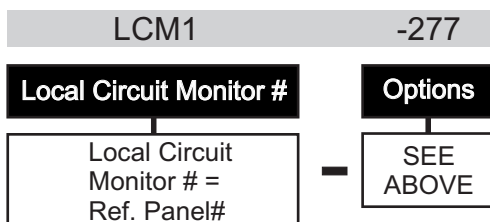
INSTALLATION DATA & DIMENSIONS



LEGEND:



ORDERING INFORMATION EXAMPLE: CBS250T277S



DISTRIBUTOR: