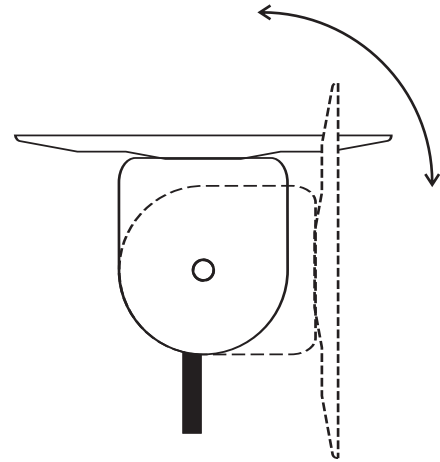


Crystal Swing Face With Hang- Straight Hinge

Edge- Lit LED Exit Signs Series CRSW

CRSW.04.15.08



CONSTRUCTION

- Extruded aluminum LED lamp housing mounts to a form- fitting canopy in solid aluminum, which is field- adjustable for wall or ceiling mount.
- Standard finishes: satin white and brushed aluminum.
- Optional finishes: Painted colors in any custom shade, or anodized finishes in satin bronze, polished gold, mirror silver & many others.
- Diamond polished acrylic lenses for optimum light transmission, exterior quality and high brightness.
- Ultra high output LEDs produce brilliant graphic illumination well above code minimums

ELECTRONICS

- Isolated, all solid state power supply with 2- wire universal input from 120 VAC to 277 VAC with precise current and voltage regulation.
- Remotes may be connected to one of the following:
 - Series CBS UNIVERSAL CENTRAL BATTERY SYSTEM
 - Series MTL MASTER-REMOTE SYSTEM
- Power supply is surge and spike protected, with a low voltage disconnect.
- The complete power supply module with optional NICAD battery pack is sealed within a phenolic plastic enclosure, which fits inside a standard 4" square deep J- box.. AC and DC wiring is quickly attached with plug connectors.

DIAGNOSTICS OPTION

- An advanced microprocessor monitors all charger functions and battery condition continuously and automatically performs all tests and visual indications required by UL Standard 924.

U.S. Patent 5, 276, 591

MOUNTING

- Field selectable wall or ceiling mount.
No exposed hardware.

REMOTE MODELS

- All versions of this product are available as a Remote, configured to operate from one of three central battery systems. For full details, refer to Series CRSRE specification sheet, and the following specifications for central battery systems:
 - Series CBS UNIVERSAL CENTRAL BATTERY SYSTEM
 - Series MCS MULTILITE CENTRAL SYSTEM
 - Series MTL MASTER-REMOTE SYSTEM

CODES

- Manufactured and tested to UL Standard 924. Conforms to NFPA Life Safety Code 101, UBC and NEC.

WARRANTY

- 5 year total customer satisfaction warranty. For details see product catalog technical data section.

FIXTURE SCHEDULE

MODEL	CATALOG NO
APPROVAL	JOB INFORMATION



Intertek
CONFORMS TO
UL 924/ CSA 22.2 #141



Crystal Swing Face With Hang- Straight Hinge

Edge- Lit LED Exit Signs Series CRSW

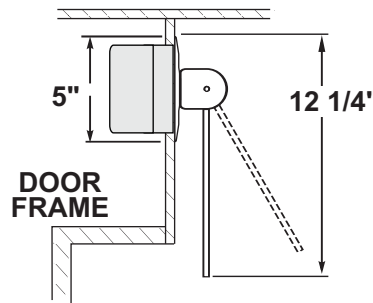
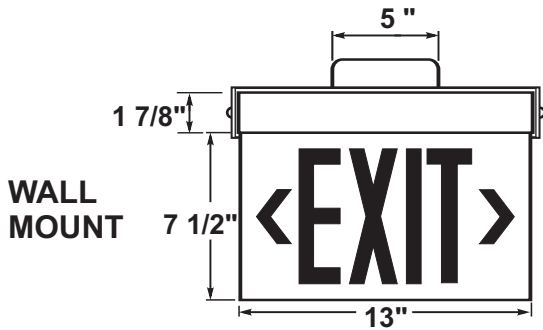
CRSW.04.15.08

Supply and install Sigtex CRYSTAL Series CRS surface mount LED exit signs. The lamp housing and canopy shall be of extruded aluminum. Faceplate shall be optical grade acrylic with diamond polished edges and allows swing rotation up to 180° when required.. Lighting uniformity shall be better than 4:1 when measured over any illuminated area and average brightness will exceed 6 ft Lambert (21 Cd/m²). Life expectancy of the LEDs shall be in excess of 20 years. The power supply and charger shall be an isolated digital type with regulated current and voltage output to the lamp load and batteries (emergency models). AC supply shall be universal 120/277 VAC input via two- wire feed. One standard power supply shall be capable of driving up to 5 single face remote signs in addition to the master, with emergency operation at least 90 minutes for each sign. Battery charge time to restore full capacity after discharge shall be less than 24 hours.

OPTIONS:	CODE:
Damp Location	DP
Battery Diagnostics	DG
Mirror Lens (SF)	M
White Lens (SF & DF)	W
For other Custom Colors: Call Factory	

NOTE: PRE- INSTALL 4" X 4" X 2 1/8" DEEP J- BOX WITH 1 1/2" EXTENSION RING

MOUNTING DATA & DIMENSIONS:



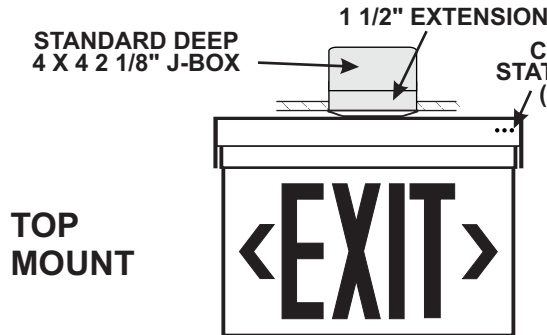
BATTERY DIAGNOSTIC FUNCTIONS:

Microprocessor programmed to perform tests as follows:

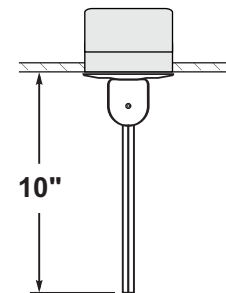
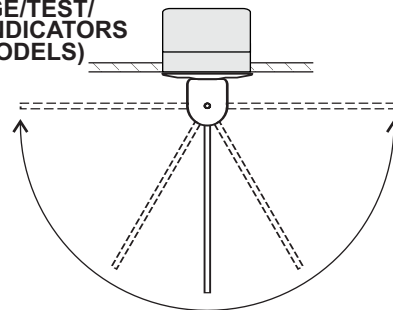
Continuous Monitoring w/ 1 Second Sampling	Every 28 Days	Every 12 Months
Lamp Connections	Transfer switch function	Full 90 minute emergency operation test with test/ fail and manual report signal
Battery Connections	Battery discharge rate under full load	

SELF- TEST DIAGNOSTIC FUNCTIONS

STATUS	LED DISPLAY
NORMAL FULL CHARGE	GREEN ON
NORMAL FAST CHARGE	ORANGE ON
FAILED BATTERY	RED FLASH FAST
FAILED LAMP	GREEN FLASH
FAILED TRANSFER	ORANGE FLASH
FAILED CHARGER	RED FLASH SLOW



CHARGE/TEST/STATUS INDICATORS (BB MODELS)



180° MAX SWING

SINGLE FACE

DOUBLE FACE

ORDERING INFORMATION:

EXAMPLE: CRSWB-1RCBA-NA-TW-DG

CRSW BB - 1 R C BA - NA - DG

MODEL SERIES	OPERATION	NO. of FACES	LETTER COLOR	BACKGRD COLOR	STANDARD TRIM FINISH	ARROW DIRECTION	OPTIONS
CRS	BB= Battery Backup NB= No Battery (Ac Only) REC=Remote w/ Central Battery System REM=Remote w/ Master Remote System	1= Single 2= Double	R= Red G= Green	C= Clear (SF) M=Mirror (DF) For Other Options See Above	W= Satin White BA= Brushed Alum X= Custom	NA= No Arrow AR= Arrow Right > AL= Arrow Left < AB= Arrow Both <> Double Face Signs: NA= No Arrow LR= Single Arrow Each Side > AB= Double Arrow Each Side <>	See Above



Sigtex Inc
LIGHTING

220 VFW Avenue, Grasonville, MD 21638
TEL: (410) 827-8300 Fax: (410) 827-8866

sales@sigtexinc.com www.sigtexinc.com

DISTRIBUTOR: