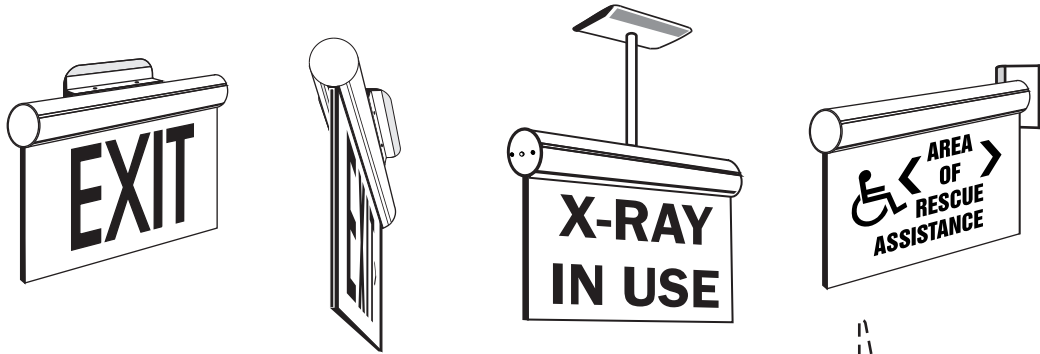


# Crystal Surface Mount

# Edge-lit LED Exit Signs Series CRS

CRS.06.09.14



## CONSTRUCTION

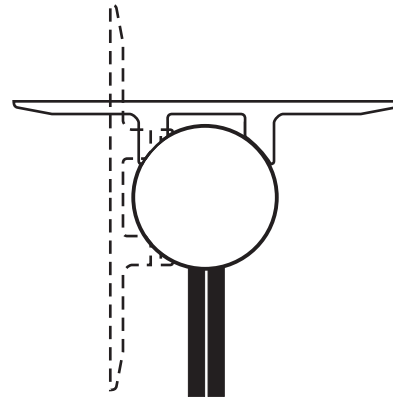
- Extruded aluminum LED lamp housing mounts to a form-fitting canopy in solid aluminum that contains a "cam lock" device, which is field adjustable for wall or ceiling mount.
- Standard finishes: satin white and brushed aluminum.
- Optional finishes: Painted colors in any custom shade, or anodized finishes in satin bronze, polished gold, mirror silver & many others.
- Diamond polished acrylic lenses for optimum light transmission, exterior quality and high brightness.
- Ultra high output LEDs produce brilliant graphic illumination well above code minimums

## ELECTRONICS

- Isolated, all solid state power supply with 2-wire universal input from 120 VAC to 277 VAC with precise current and voltage regulation.
- Power supply is surge and spike protected, with a low voltage disconnect.
- The complete power supply module with optional NICAD battery pack is sealed within a phenolic plastic enclosure, which fits inside a standard 4" square deep J-box. AC and DC wiring is quickly attached with plug connectors.

## DIAGNOSTICS OPTION

- An advanced microprocessor monitors all charger functions and battery condition continuously and automatically performs all tests and visual indications required by UL Standard 924.



## CENTRAL BATTERY SYSTEMS

- Central battery systems are the most cost-effective installation for all types of exit signs, with significant savings in initial purchase and operating costs.
- Remotes may be connected to one of the following central battery systems by Sigtex:
  - Series CBS UNIVERSAL CENTRAL BATTERY SYSTEM
  - Series MTL MASTER-REMOTE SYSTEM

## MOUNTING

- Field selectable wall or ceiling mount. No exposed hardware.

## CODES

- Manufactured and tested to UL Standard 924. Conforms to NFPA Life Safety Code 101, UBC and NEC.

## WARRANTY

- 5 year total customer satisfaction warranty. For details see product catalog technical data section.



## FIXTURE SCHEDULE

MODEL	CATALOG NO
APPROVAL	JOB INFORMATION



