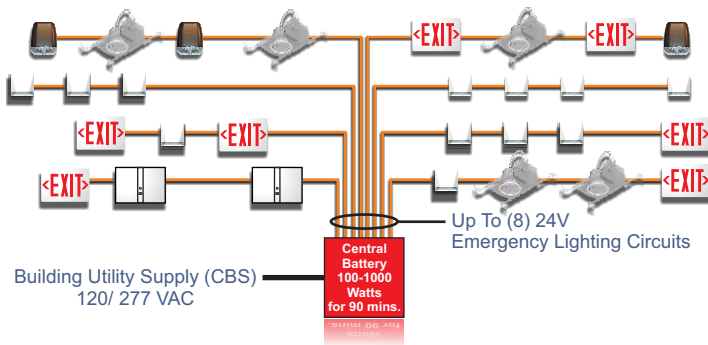


Universal Central Battery System For all Sigtex Emergency Lighting Products

Series CBS

CBS.07.15.21



For All Sigtex
Emergency Products

CBS

GENERAL DESCRIPTION

The Central Battery System (CBS) finally offers a practical way to comply with the Life Safety Code and solve emergency battery maintenance problems forever. The perfect solution for any size application. Provides from 100 to 1000 watts of emergency power to any combination of Sigtex products for a minimum of 90 minutes. An optional night/ security power supply will run all fixtures required for night lighting.

CONSTRUCTION & OPERATION

Uninterruptible Power Supply per NEC 700.12 (c), with storage batteries, charging system, automatic transfer switch and self-test switch with LED indicator.

NEMA Type 1, UL 50 steel cabinet, for surface or optional recessed mount.

Test switch and diagnostic status indicator allow immediate update on battery condition and charger performance.

Maintenance on battery or other electronics for all emergency lighting equipment on one building floor can be performed in a short time. No access to the fixtures is required.

Up to eight low voltage circuits operate emergency lighting as well as night/ security lighting, and exit signs. Fixtures are connected in parallel in a "daisy-chain".

ELECTRONICS

All charger functions are monitored by an advanced microprocessor which also automatically performs all self-test diagnostics as required by NFPA 101 and UL 924, every 30 days and every 12 months following installation.

Regulated charger output for fast charge with maximum battery life.

The Security Lighting option can be controlled by an internal time clock, photocell, or from a building management system.

Output terminal blocks provided, accepting wire gauges from 12AWG to 8AWG.

BUILDING MANAGEMENT INTERFACE

An optional BMI module allows two-way communication of diagnostic data between a CBS panel and a Building Management System via BACnet protocol, or equivalent code. Written test reports can be produced in full compliance with the NFPA Life Safety Code 101, Section 7.9.3.1.3 (5).

CERTIFICATIONS & CODES

Listed under UL Standard 924, and meets applicable requirements of CSA C22.2 No. 141, NFPA 101, and NEC 700.12 (c).

WARRANTY

3 year total customer satisfaction warranty. For details see product catalog technical data section.



FIXTURE SCHEDULE

MODEL	CATALOG NO
APPROVAL	JOB INFORMATION



Universal Central Battery System For all Sigtex Emergency Lighting Products

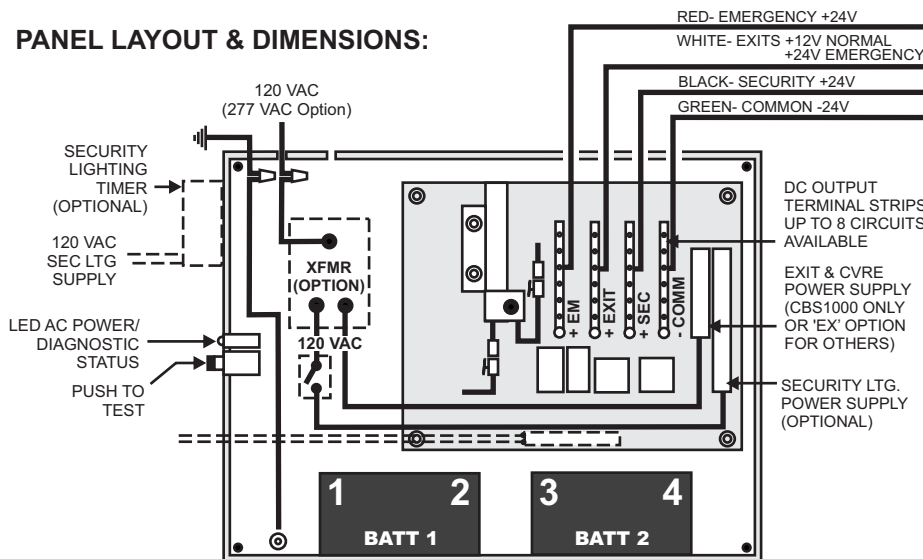
Series CBS

CBS.07.15.21

SUGGESTED SPECIFICATIONS:

Power for emergency lighting shall be provided by Sigtex Inc Central Battery System Series CBS, including optional security or night lighting, with input of 120 VAC and uninterrupted output of 24 VDC for loads as specified for at least 90 minutes in emergency operation. The system shall be capable of supplying power to all Sigtex emergency lighting remote fixtures, including COVERLITE and MOONLITE™ models, and all LED exit signs. Panel construction shall be from sheet steel, UL listed, and meet NEMA 1 requirements. Battery diagnostics will perform automatic testing as required to meet national and local codes, and status will be displayed with a multicolor LED on the panel, and manual push-to-test switch. An optional Building Management Interface (BMI) shall be capable of communicating diagnostic self-test data to Building Management System.

PANEL LAYOUT & DIMENSIONS:



OPTIONS

- S** Security Lighting Power Supply
- EX** Additional Exit Lighting Power Supply
- LCM** Local Circuit Monitor Control
- 4LCM** 4 LCM Signal Inputs
- 4ECR** Emergency Control Relay
- T** Time Clock for Security Lighting Operation
- BMI** Building Management Interface
- CVR** Output Power Relay for CVRE Operation
- 277'** 277 VAC Input for Charger System
- 277S'** 277 VAC Input for Charger & Security Lighting
- REC²** Recess Mount
- LOK** Key Lock
- NAT** No Annual Test
- NEM4** Weatherproof
- BH** Battery Heater

*Panel size may vary from table below. Contact factory for dimensions.
*Limited sizes available. Contact factory for information.

EPR WATTS	SEC WATTS	PANEL SIZE H" x W" x D"	WEIGHT
			w/ BATTS Lbs.
100	60	16 x 16 x 6	40
250	150	18 x 18 x 8	60
500	320	18 x 18 x 8	100
1000	600	24 x 30 x 8	180

Enclosure sizes shown for 120 VAC input. Contact factory for 277 VAC options.

EPR = Power to drive emergency lighting for 90 minutes
SEC = Power available for continuous Security or Night lighting

DC OUTPUTS:

- RED- EMERGENCY +24V**
- WHITE- EXITS & CVRE +12V or +24V**
12V: Continuous power in normal mode
24V: Emergency power
- BLACK- SECURITY/ NIGHT LTG +24V**
- GREEN- COMMON -24V**

EXIT LIGHTING

CBS100 & CBS250
STANDARD: MAX. 15 EXIT SIGNS PER CBS
"EX" OPTION: MAX. 40 EXIT SIGNS PER CBS

CBS500 & CBS1000
STANDARD: MAX. 40 EXIT SIGNS PER CBS

OPERATING TEMPERATURES

Standard: -20C to +50C
With BH Option: -40C to +50C

WIRING CONNECTIONS

- EXIT SIGNS:** GREEN & WHITE
- EMERGENCY FIXTURES:** RED, GREEN, & BLACK (IF SEC)
- CVRE:** GREEN, WHITE & RED

BRANCH CIRCUIT WIRING:

- EXITS ONLY:** 2 WIRE SYSTEM
- EM LIGHTING ONLY:** 2 WIRE SYSTEM
- EXITS & EM LIGHTING:** 3 WIRE SYSTEM
- EXITS & EM WITH NIGHT/ DUAL MODE (OPTION SED) SECURITY LIGHTING:** 4 WIRE SYSTEM

REMOTE EMERGENCY LIGHTING FIXTURES, EXITS & EMERGENCY LIGHTING CONTROLS: FOR CONNECTION TO CENTRAL BATTERY SYSTEMS

The following products operate from emergency power supplied from the Central battery System at 24VDC input. Please refer to individual specification sheets for each model for further details:

Description	SERIES
Emergency Lighting Control	ELCP1, ELCP2, ELCP3, ELCP4
Moonlite LED Emergency Lighting Fixtures	MAE, MFP, MHE, MHW, MLD, MLDD, MLS, MLSW, MLW, MOE, MOP, MRD, MRS, MUE
Exits	RPR, CRR, CRS, BLD
Coverlite Concealed Emergency	CVRRE20-75 watts CVRRE

ORDERING INFORMATION

Example: CBS500-277

EXAMPLE: CBS250T277S

MODEL	90 MINUTE OUTPUT WATTS	OPTIONS
CBS	100 250 500 1000	SEE ABOVE

SELF-TEST DIAGNOSTIC FUNCTIONS

STATUS	LED DISPLAY
NORMAL FULL CHARGE	GREEN ON
NORMAL FAST CHARGE	ORANGE ON
FAILED BATTERY	RED FLASH FAST
FAILED TRANSFER	ORANGE FLASH
FAILED CHARGER	RED FLASH SLOW

See Series CES data sheet for information on Emergency and Standby system for use with generator.

See Series CBM data sheet for information on Central Battery with Monitoring & Reporting System (MARS).



DISTRIBUTOR: