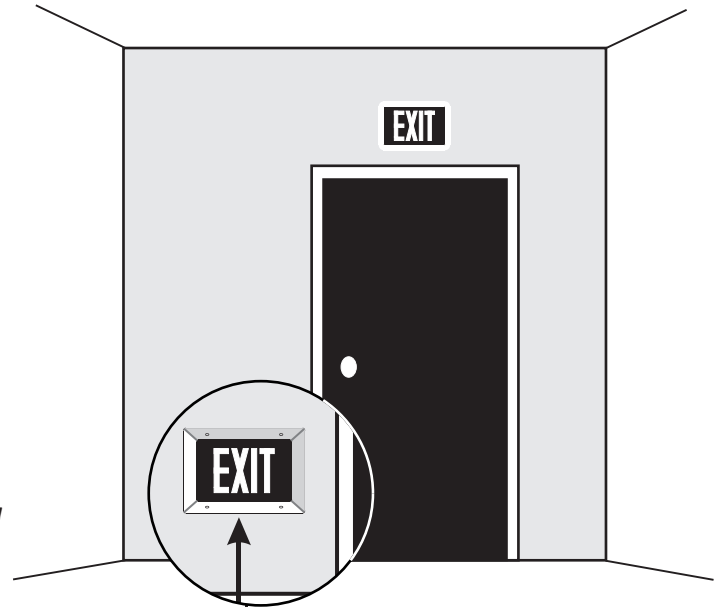
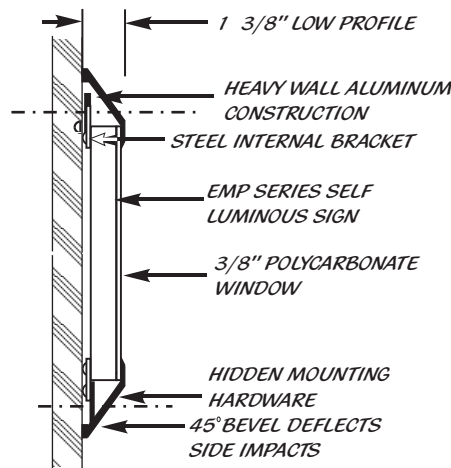


Security Housing

Series ASH

Aluminum Security Housing for self luminous signs

ASH.01.05.6



FLOOR PROXIMITY EXIT SIGN

CONSTRUCTION

- Heavy duty extruded aluminum frame with 3/8" thick polycarbonate window used to enclose EMERGENCE Series EMP self-luminous sign.
- 45° Beveled edges deflect side impacts without damage. Tamper-proof mount screws prevent unauthorized removal.
- Standard finish, anodized aluminum in satin, clear or black. Custom paint or anodized colors available.
- Suitable for use in hazardous atmospheres and wet locations. Meets NEC Article 500 Class I and II conditions.

CODES AND APPROVALS

- Manufactured and tested to UL Standard 924 and Life Safety Code NFPA 101 for exit signs and floor proximity markers. Self-luminous signs also meet requirements of National Electrical Code Article 500, Class I and II conditions.

WARRANTIES

- Unconditional warranty is provided for self-luminous lighting against failure to meet required standards, as specified on the product label. See catalog for complete details.

FIXTURE SCHEDULE

MODEL	CATALOG NO
APPROVAL	JOB INFORMATION



Security Housing

Series ASH

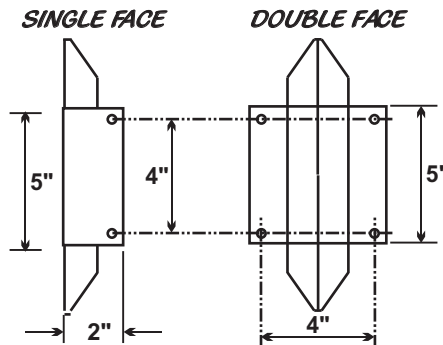
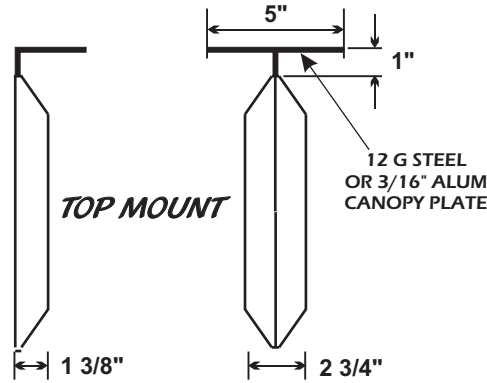
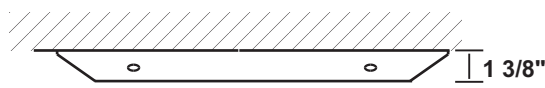
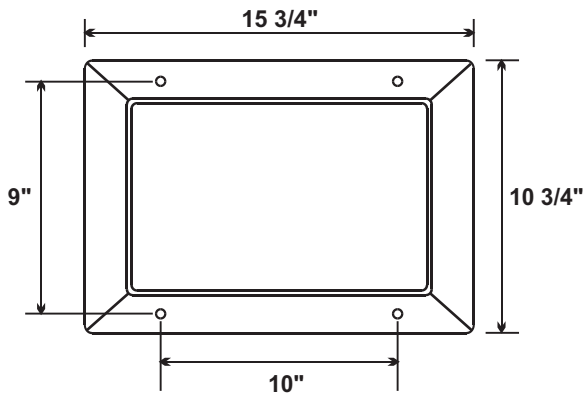
Aluminum Security Housing for self luminous signs

ASH.01.05.6

SUGGESTED SPECIFICATIONS:

Furnish and install SIGNTEX, Inc. Aluminum Security Covers Series ASH for EMERGENCE Series EMP self- luminous signs. The housing shall be of extruded aluminum of overall size not more than 15 3/4" x 10 3/4" x 1 3/8" having 45 degree beveled edges on four sides, and polycarbonate faceplate window 3/8" thick. The housing shall meet impact tests and other requirements of UL Standard 924 for Floor Proximity Exit Signs, and UL Standard 1994 for Pathway markers.

MOUNTING DATA & DIMENSIONS:



When ordered complete with
Series EMP Self- Luminous Signs:

EXAMPLE: EMP101GB-TD-ASH

EMP	10	1	G	B	TD	ASH
MODEL SERIES	USEFUL LIFE	NO. OF FACES	FACE COLOR	HOUSING COLOR	OPTIONS/ ACCESSORIES	
EMP	10=10 YRS 20=20 YRS	1=1 2=2	R=RED G=GREEN B=BLACK "COLOR"= CUSTOM COLOR	BA= BRUSHED ALUMINUM B= BLACK "COLOR"= CUSTOM FINISH	TS=TOP MT SF TD=TOP MT DF	



Signtex Inc

LIGHTING

220 VFW Avenue, Grasonville, MD 21638
TEL: (410) 827-8300 Fax: (410) 827-8866
sales@signtexinc.com www.signtexinc.com

DISTRIBUTOR:

